



Product specification (design and specification subject to change without notice)

■ DISPLAY PANEL

| | |
|---------------------------------------|------------------------------|
| Screen Size (Diagonal) | 65-inch (1639 mm) |
| Panel type | IPS / Edge-LED |
| Aspect ratio | 16:9 |
| Effective Display Area (W x H) | 1428 x 803 mm |
| Number of pixels (H x V) | 1920 x 1080 pixels |
| Brightness | 450 cd/m ² (typ.) |
| Contrast Ratio | 1300:1 (typ.) |
| Dynamic Contrast | 50000:1 (typ.) |
| Max. Display Colors | approx. 1.07 Billion |
| Response Time | 10 ms (typ.) (G to G) |
| Viewing Angle (Horizontal / Vertical) | 178° / 178° (CR ≥ 10) |
| Panel Life Time ^{*1} | approx. 50000 hours (typ) |
| Panel Surface Treatment | Anti glare type (Haze 1%) |

*1 When the panel lifetime is at 50% of the brightness under the condition of 25 degrees Celsius (+/- 2 degrees Celsius).

■ CONNECTION TERMINAL

| | | |
|-------------------------|---|---|
| HDMI IN | HDMI Type A Connector x 2 | Linear PCM (Sampling frequency : 48 kHz/44.1 kHz/32 kHz) |
| VIDEO/ AUDIO IN (AV IN) | 4 Port mini Jack (M3) x 1 / x 1 (AUDIO IN Shared with DVI-D IN, PC IN, VIDEO IN) | VIDEO : 1.0 V [p-p] (75 Ω) AUDIO: 0.5 V [rms] |
| DVI-D IN | DVI-D 24-pin x 1 | Compliance with DVI Revision 1.0 Compatible with HDCP 1.1 |
| DVI-D OUT | DVI-D 24-pin x 1 | Compliance with DVI Revision 1.0 Compatible with HDCP 1.1 |
| PC IN | Mini D-Sub 15-pin (DDC2B) x 1 | Y/G : with sync 1.0 V [p-p] (75 Ω) : without sync 0.7 V [p-p] (75 Ω) P _B /C _B /B : 0.7 V [p-p] (75 Ω) P _R /C _R /R : 0.7 V [p-p] (75 Ω) HD/VD : HD/VD TTL (high impedance) |
| SERIAL IN / OUT | D-sub 9-pin x 1 / x 1, RS-232C Compatible | |
| LAN / DIGITAL LINK IN | RJ45 x 1 100BASE-TX, compatible with PLink (Shared with LAN, Long reach mode) | |
| IR TRANSMITTER IN / OUT | Stereo Mini Jack (M3) x 1 / x 1 | |
| AUDIO OUT | Stereo Mini Jack (M3) x 1 | 0.5 V [rms] |
| USB | Variable (-∞ - 0 dB) (1 kHz 0 dB Input, 10 k Ω Load) | |
| USB | USB 2.0 Type A connector x 1 DC 5 V/1A (USB 3.0 is not supported.) | |

■ AUDIO

| | |
|------------------|-------------------|
| Built in Speaker | 20 W [10 W +10 W] |
|------------------|-------------------|

■ ELECTRICAL

| | |
|------------------------------------|-------------------------|
| Power Requirements | AC 220 - 240 V 50/60 Hz |
| Power Consumption | 155 W |
| On Mode Average Power Consumption* | 124 W |
| Power Off Condition | approx. 0.3 W |
| Stand-by Condition | approx. 0.5 W |
| Apparent power | 159 VA |

*Based on IEC 62087 Ed.2 measurement method

■ MECHANICAL

| | |
|-------------------------------|--|
| Dimensions (W x H x D) | 1452 x 834 x 64 mm |
| Weight | approx. 29.8 kg |
| Bezel Color | Black |
| Bezel Width | T/R/L 9.5 mm, B 15.7 mm |
| Carton Dimensions (W x H x D) | 1648 x 1076 x 280 mm |
| Gross Weight | approx. 41.0 kg |
| Cabinet Material | Front: Metal / Back: Plastic |
| Pitch for Wall-Hanging | VESA Compliant 400 x 400 mm (Installed by: M6 screws / Screw hole depth 10 mm) |

■ INSTALLATION

| | |
|---------------|--|
| Orientation | Landscape / Portrait (Rotation: Up to 45 degrees for each right and left with the display installed landscape) |
| Tilting Angle | Landscape : 0 - 45 degrees forward / backward Portrait : 0 - 45 degrees forward / backward |

*Please contact your sales representative with regard to the tilt angle before installation.

*When you install the product upright, be sure to make the power lamp of the main body come to the upper side.

■ ENVIRONMENTAL

| | |
|-----------------------|--|
| Operating Environment | Temperature: 0°C to 40°C ^{*1} : 0°C to 35°C ^{*2} |
| | Humidity : 20% to 80% (No condensation) |
| | Altitude : 0 to 2800 m |
| Storage Environment | Temperature: -20°C to 60°C |
| | Humidity : 20% to 80% (No condensation) |

*1 : for up to 1400 m altitude *2 : for between 1400 m and 2800 m altitude

Depending on the temperature or humidity conditions, uneven brightness may be observed. This is not a malfunction.

• This unevenness will disappear while applying current continuously. If not, consult the distributor.

MAIN FEATURE

| | |
|--|-----|
| USB Media Player | YES |
| Failback / Failover | YES |
| Data Cloning | YES |
| Digital ZOOM | YES |
| Multi display settings | YES |
| Power on screen delay | YES |
| Auto setting | YES |
| Screensaver | YES |
| HDMI power management | YES |
| DIGITAL LINK power management | YES |
| PC power management | YES |
| DVI-D power management | YES |
| Power save | YES |
| Button lock | YES |
| Controller user level | YES |
| Input search | YES |
| 6-segment colour management | YES |
| Dynamic contrast | YES |
| Colour enhancement | YES |
| Refine enhancer | YES |
| Gradation smoother | YES |
| Set up timer | YES |
| AMX D.D. | YES |
| Creston Connected™ | YES |
| Extron XTP | YES |
| WEB Browser control | YES |
| PJLink™ | YES |
| Image compatible | YES |
| Input Detection | YES |
| HDMI CEC compatible | YES |
| Viewer | YES |
| Early Warning Software compatible | YES |
| Multi Monitoring & Control Software compatible | YES |
| Video Wall Manager compatible | YES |
| CMS Content management Software compatible | YES |

Operating Time* 24h/day

* The brightness of the display panel is equivalent to about 75% its full capacity, when the Light ID is transmitted. The displayed image may flicker, but this is due to a change in the brightness during Light ID transmission and not due to trouble.

* In case of running for a long time, the moving image is recommended to be displayed. If you display a still picture for an extended period, the image retention might remain on the screen. However, image retention can gradually disappear by displaying a moving images.

* Specifications and appearance are subject to change without notice.

STANDARD (CERTIFICATIONS)

| | |
|-----------------------|---------------------------------|
| SAFETY REGULATIONS | IEC60950-1 AS/NZS Deviation |
| RADIATION REGULATIONS | AS/NZS CISPR32:2013 RCM Mark |

REMOTE CONTROL TRANSMITTER

| | |
|------------------------|----------------------------------|
| Power Requirements | DC 3 V (2 x AAA Size batteries) |
| Operating distance | approx. 7 m* |
| Weight | approx. 63 g including batteries |
| Dimensions (W x H x D) | 48 x 134 x 20 mm |

*When operated directly in front of receptor.

INCLUDED ACCESSORIES

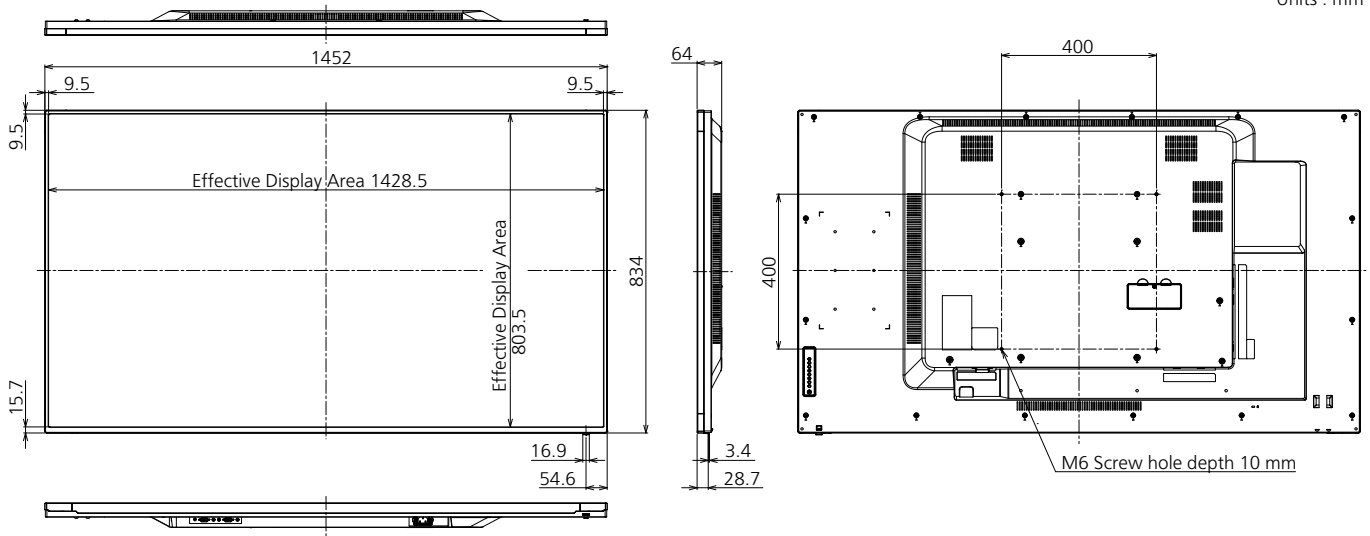
- AC cord (2.0 m) - Remote Control - Batteries (AAA size) x 2
- Clamper x 3 - User Manual

OPTIONAL ACCESSORIES

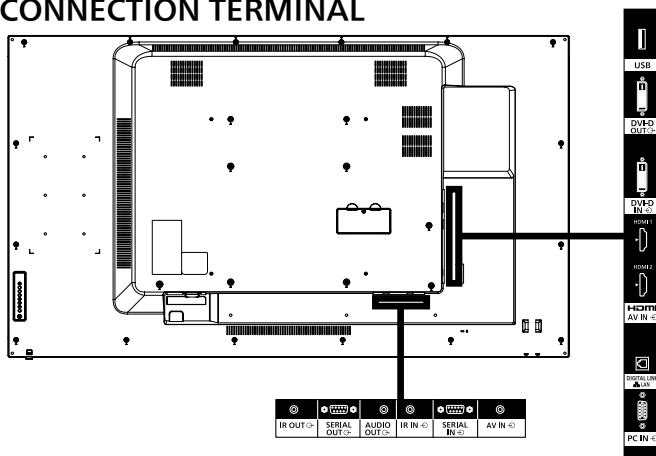
| | |
|----------------|------------|
| Pedestal Stand | TY-ST55PE9 |
|----------------|------------|

DIMENSIONS

Cautions: This drawing is not a scale
Units : mm



CONNECTION TERMINAL



* Specifications and appearance are subject to change without notice.

List of correspondence signals

The picture signal which can indicate this machine is as it is the following table.

V : VIDEO
R : D-sub RGB
Y : YCbCr/YPbPr
D : DVI-D
H : HDMI
DL : Digital Link

| Correspondence signal | Resolution (dot) | Scan rate | | Dot clock rate (MHz) | Format |
|---------------------------|---------------------------------|------------------|---------------|----------------------|------------|
| | | Horizontal (kHz) | Vertical (Hz) | | |
| NTSC/NTSC4.43/PAL-M/PAL60 | 720 x 480i | 15.73 | 59.94 | - | V |
| PAL/PAL-N/SECAM | 720 x 576i | 15.63 | 50.00 | - | V |
| 480/60i | 720 x 480 | 15.73 | 59.94 | 13.50 | R/Y |
| 576/50i | 720 x 576i | 15.63 | 50.00 | 13.50 | R/Y |
| 480/60i | 720 (1440) x 480i ^{*2} | 15.73 | 59.94 | 27.00 | D/H/DL |
| 576/50i | 720 (1440) x 576i ^{*2} | 15.63 | 50.00 | 27.00 | D/H/DL |
| 480/60p | 720 x 483 | 31.47 | 59.94 | 27.00 | R/Y/D/H/DL |
| 576/50p | 720 x 576 | 31.25 | 50.00 | 27.00 | R/Y/D/H/DL |
| 720/60p | 1280 x 720 | 45.00 | 60.00 | 74.25 | R/Y/D/H/DL |
| 720/50p | 1280 x 720 | 37.50 | 50.00 | 74.25 | R/Y/D/H/DL |
| 1080/60i ^{*1} | 1920 x 1080i | 33.75 | 60.00 | 74.25 | R/Y/D/H/DL |
| 1080/50i | 1920 x 1080i | 28.13 | 50.00 | 74.25 | R/Y/D/H/DL |
| 1080/24p | 1920 x 1080 | 27.00 | 24.00 | 74.25 | R/Y/D/H/DL |
| 1080/24PsF | 1920 x 1080i | 27.00 | 48.00 | 74.25 | R/Y |
| 1080/25p | 1920 x 1080 | 28.13 | 25.00 | 74.25 | R/Y/D/H/DL |
| 1080/30p | 1920 x 1080 | 33.75 | 30.00 | 74.25 | R/Y/D/H/DL |
| 1080/60p | 1920 x 1080 | 67.50 | 60.00 | 148.50 | R/Y/D/H/DL |
| 1080/50p | 1920 x 1080 | 56.25 | 50.00 | 148.50 | R/Y/D/H/DL |
| 640 x 400/70 | 640 x 400 | 31.47 | 70.09 | 25.18 | R/Y/D/H/DL |
| 640 x 400/85 | 640 x 400 | 37.86 | 85.08 | 31.50 | R/Y/D/H/DL |
| 640 x 480/60 | 640 x 480 | 31.47 | 59.94 | 25.18 | R/Y/D/H/DL |
| 640 x 480/67 | 640 x 480 | 35.00 | 66.67 | 30.24 | R/Y/D/H/DL |
| 640 x 480/73 | 640 x 480 | 37.86 | 72.81 | 31.50 | R/Y/D/H/DL |
| 640 x 480/75 | 640 x 480 | 37.50 | 75.00 | 31.50 | R/Y/D/H/DL |
| 640 x 480/85 | 640 x 480 | 43.27 | 85.01 | 36.00 | R/Y/D/H/DL |
| 800 x 600/56 | 800 x 600 | 35.16 | 56.25 | 36.00 | R/Y/D/H/DL |
| 800 x 600/60 | 800 x 600 | 37.88 | 60.32 | 40.00 | R/Y/D/H/DL |
| 800 x 600/72 | 800 x 600 | 48.08 | 72.19 | 50.00 | R/Y/D/H/DL |
| 800 x 600/75 | 800 x 600 | 46.88 | 75.00 | 49.50 | R/Y/D/H/DL |
| 800 x 600/85 | 800 x 600 | 53.67 | 85.06 | 56.25 | R/Y/D/H/DL |
| 832 x 624/75 | 832 x 624 | 49.72 | 74.55 | 57.28 | R/Y/D/H/DL |
| 852 x 480/60 | 852 x 480 | 31.47 | 59.94 | 34.24 | D/H/DL |
| 1024 x 768/50 | 1024 x 768 | 39.55 | 50.00 | 51.89 | D/H/DL |
| 1024 x 768/60 | 1024 x 768 | 48.36 | 60.00 | 65.00 | R/Y/D/H/DL |
| 1024 x 768/70 | 1024 x 768 | 56.48 | 70.07 | 75.00 | R/Y/D/H/DL |
| 1024 x 768/75 | 1024 x 768 | 60.02 | 75.03 | 78.75 | R/Y/D/H/DL |
| 1024 x 768/82 | 1024 x 768 | 65.55 | 81.63 | 86.00 | R/Y/D/H/DL |
| 1024 x 768/85 | 1024 x 768 | 68.68 | 85.00 | 94.50 | R/Y/D/H/DL |
| 1066 x 600/60 | 1066 x 600 | 37.64 | 59.94 | 53.00 | D/H/DL |
| 1152 x 864/60 | 1152 x 864 | 53.70 | 60.00 | 81.62 | D/H/DL |
| 1152 x 864/70 | 1152 x 864 | 63.99 | 70.02 | 94.20 | R/Y/D/H/DL |
| 1152 x 864/75 | 1152 x 864 | 67.50 | 75.00 | 109.00 | R/Y/D/H/DL |
| 1152 x 864/85 | 1152 x 864 | 77.09 | 85.00 | 119.65 | R/Y/D/H/DL |
| 1152 x 870/75 | 1152 x 870 | 68.68 | 75.06 | 100.00 | R/Y/D/H/DL |
| 1280 x 720/60 | 1280 x 720 | 44.76 | 60.00 | 74.48 | R/Y/D/H/DL |
| 1280 x 768/50 | 1280 x 768 | 39.55 | 49.94 | 65.18 | R/Y/D/H/DL |
| 1280 x 768/60 | 1280 x 768 | 47.70 | 60.00 | 80.14 | R/Y/D/H/DL |
| | 1280 x 768 | 47.78 | 59.87 | 79.50 | R/Y/D/H/DL |
| 1280 x 800/50 | 1280 x 800 | 41.20 | 50.00 | 68.56 | R/Y/D/H/DL |
| 1280 x 800/60 | 1280 x 800 | 49.31 | 59.91 | 71.00 | R/Y/D/H/DL |
| | 1280 x 800 | 49.70 | 59.81 | 83.50 | R/Y/D/H/DL |
| 1280 x 960/60 | 1280 x 960 | 60.00 | 60.00 | 108.00 | R/Y/D/H/DL |
| 1280 x 960/85 | 1280 x 960 | 85.94 | 85.00 | 148.50 | R/Y |
| 1280 x 1024/60 | 1280 x 1024 | 63.98 | 60.02 | 108.00 | R/Y/D/H/DL |
| 1280 x 1024/75 | 1280 x 1024 | 79.98 | 75.02 | 135.00 | R/Y/D/H/DL |
| 1280 x 1024/85 | 1280 x 1024 | 91.15 | 85.02 | 157.50 | R/Y/D/H/DL |
| 1360 x 768/60 | 1360 x 768 | 47.71 | 60.02 | 85.50 | D/H/DL |
| | 1360 x 768 | 47.70 | 60.00 | 84.72 | D/H/DL |
| | 1360 x 768 | 47.72 | 59.80 | 84.75 | D/H/DL |
| 1366 x 768/50 | 1366 x 768 | 39.55 | 50.00 | 69.92 | D/H/DL |
| 1366 x 768/60 | 1366 x 768 | 48.39 | 60.03 | 86.71 | R/Y/D/H/DL |
| | 1366 x 768 | 48.00 | 60.00 | 72.00 | R/Y/D/H/DL |
| 1366 x 768/50 | 1366 x 768 | 39.56 | 49.89 | 69.00 | R/Y/D/H/DL |
| 1366 x 768/60 | 1366 x 768 | 47.71 | 59.79 | 85.50 | R/Y/D/H/DL |
| 1400 x 1050/60 | 1400 x 1050 | 65.22 | 60.00 | 122.61 | D/H/DL |
| 1400 x 1050/75 | 1400 x 1050 | 82.20 | 75.00 | 155.85 | R/Y/D/H/DL |
| 1440 x 900/60 | 1440 x 900 | 55.47 | 59.90 | 88.75 | R/Y/D/H/DL |
| | 1440 x 900 | 55.92 | 60.00 | 106.47 | R/Y/D/H/DL |
| 1600 x 900/50 | 1600 x 900 | 46.30 | 50.00 | 97.05 | D/H/DL |
| 1600 x 900/60 | 1600 x 900 | 60.00 | 60.00 | 108.00 | D/H/DL |
| | 1600 x 900 | 55.99 | 59.95 | 118.25 | D/H/DL |
| | 1600 x 900 | 55.92 | 60.00 | 119.00 | D/H/DL |
| 1680 x 1050/60 | 1680 x 1050 | 65.29 | 59.95 | 146.25 | R/Y/D/H/DL |
| 1600 x 1200/60 | 1600 x 1200 ^{*3} | 75.00 | 60.00 | 162.00 | R/Y/D/H/DL |
| 1920 x 1080/60 | 1920 x 1080 ^{*4} | 66.59 | 59.93 | 138.50 | R/Y/D/H/DL |
| | 1920 x 1080 | 67.50 | 60.00 | 148.50 | R/Y/D/H/DL |
| 1920 x 1200/60 | 1920 x 1200 ^{*3} | 74.04 | 59.95 | 154.00 | R/Y/D/H/DL |

● The signal format distinguished automatically will be sometimes indication different from an actual input signal.

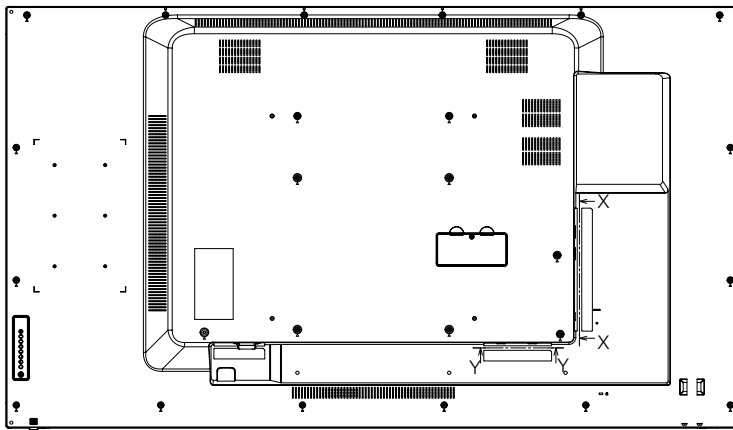
*1: When 1125 (1035) /60i signal is input, it is displayed as 1125 (1080) /60i signal. *3: Displayed with image elements thinned out in the image processing circuit.

*2: Pixel-Repetition signal (dot clock frequency 27.0 MHz) only

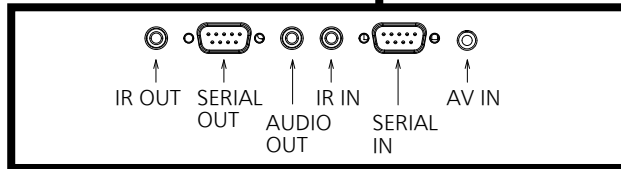
*4: Based on VESA CVT-RB (Reduced Blanking) standard

Drawing of terminals

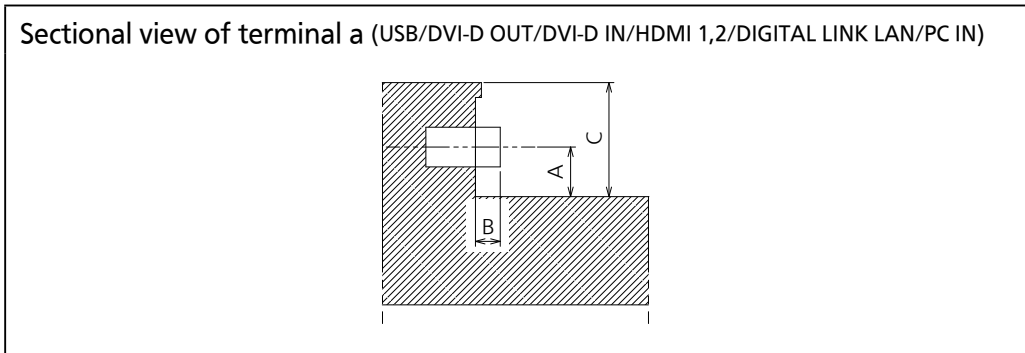
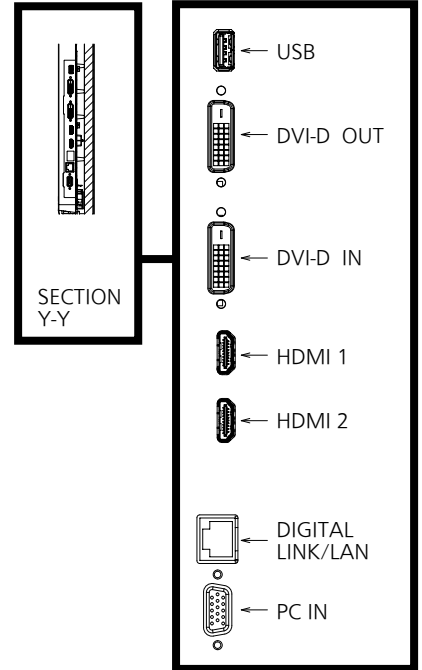
View from back



Magnified figure of terminal b



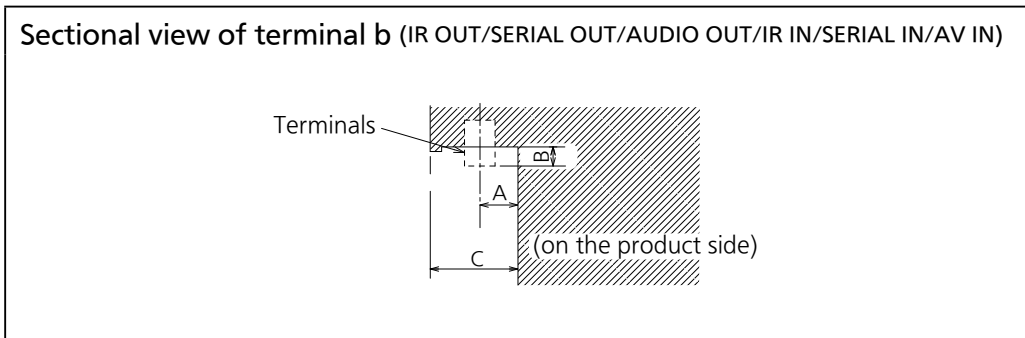
Magnified figure of terminal a



Terminal a
65SF2W Terminal (Side)

Units : mm

| | USB | DVI-D IN/OUT | HDMI | DIGITAL LINK/LAN | PC IN |
|---|-----|--------------|------|------------------|-------|
| A | 7.8 | 8.8 | 7.2 | 8.8 | 10 |
| B | | 5.6 | | | 5.3 |
| C | | | 30.2 | | |



Terminal b
65SF2W Terminal (Bottom)

Units : mm

| | IR IN/OUT | SERIAL OUT | AUDIO OUT | SERIAL IN | AV IN |
|---|-----------|------------|-----------|-----------|-------|
| A | 2.7 | 5.2 | 2.7 | 5.2 | 1.7 |
| B | 10.1 | 10.1 | 10.1 | 10.1 | 9.3 |
| C | | | 30.2 | | |

*Due to the construction of terminal, some types of connecting cable or USB memory device cannot be used. Be sure to use connecting cable or USB memory device after confirmation in this drawing.

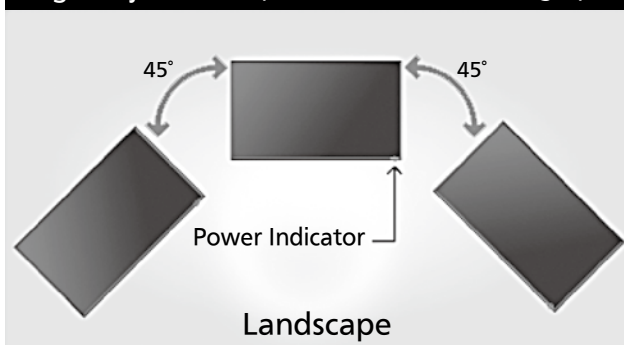
● Installation precautions

The SF2 Series is designed for use in either portrait or horizontal orientation with angle adjustment. Tilting installation up to 45 degrees forward or backward is also possible. You can install as shown the example figures.

| | |
|---------------|--|
| Orientation | Landscape (The angle can be adjusted up to 45 degrees for each right and left (with the display installed landscape).) |
| Tilting angle | 0 - 45 degrees forward / backward with landscape / portrait setting (Angle adjustment is not possible for forward / backward tilting installation.) |

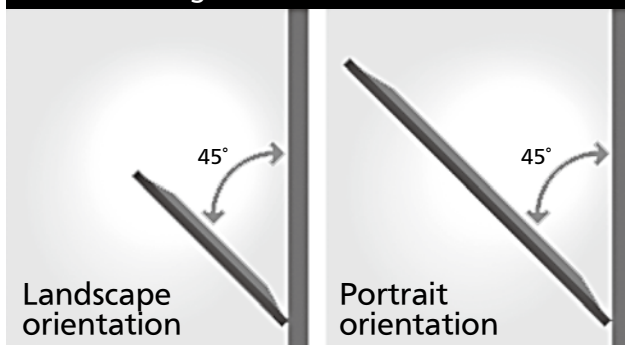
◆ Orientation

Angle adjustment (0-45° for both left and right)



◆ Tilting angle

Forward tilting



Backward tilting

